

COOLMUSIC[®]
CHANGE LIFE WITH MUSIC

®

COOLMUSIC

AC20

Multifunctional Guitur Amplifier
OWNER'S MANUAL



深圳市酷乐科技有限公司
SHENZHEN COOLMUSIC TECH CO.,LTD
www.coolmusic-tech.com.cn
www.coolmusic-tech.com

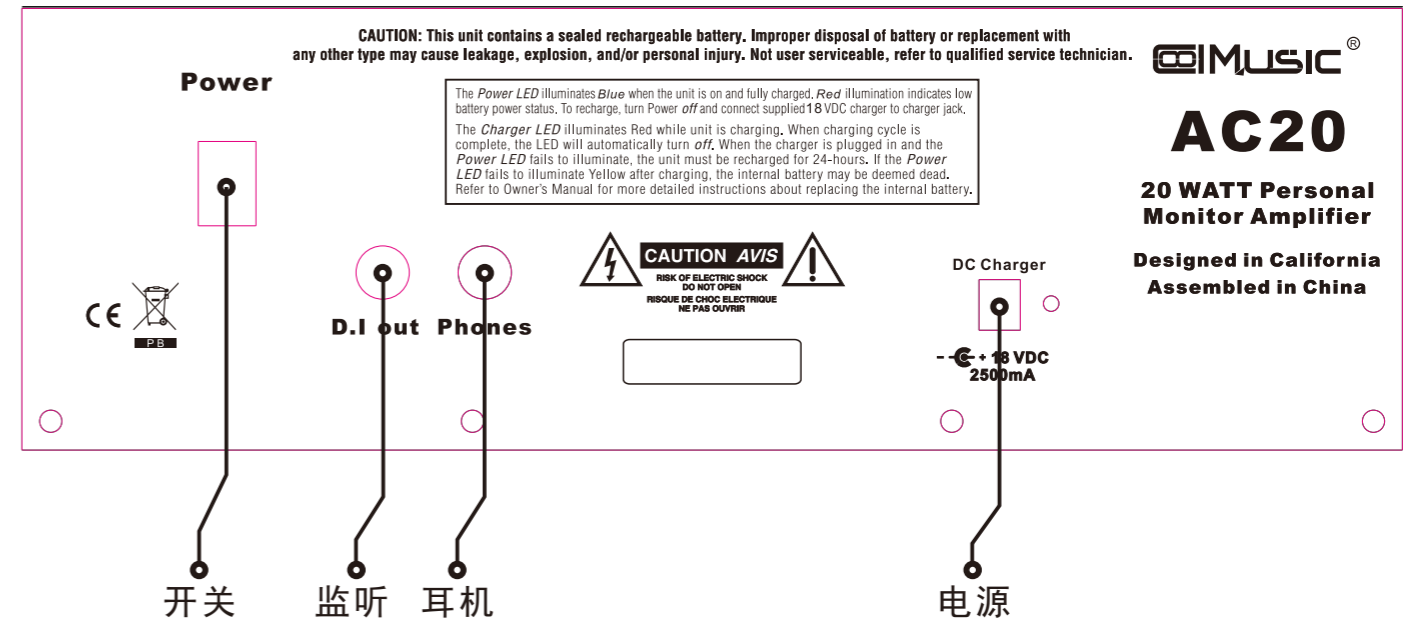
WELCOME!

Thank you for making Coolmusic a part of your acoustic experience. We are proud to offer the AC20 Bluetooth multifunctional guitar amplifier products available;high-quality professional-grade amp which send out the most amazing voice for a variety of acoustic guitar, keyboard, microphone and other musical instruments.

AC20 is a orange color portabel amplifier, light weight and small size easy to carry and storage. Built-in bluetooth device is able to connect different blue devices, compatible with all phones and table PC.USB charge function and MP3 input you can listerning music any time any where with the high power and high quality sound music player. And headphone input for private listening and a DI output allowing you to connect to another amplifier. Definatly That is a excellent choice to play music with AC20.

- ★ Built in Bluetooth, MP3 player
- ★ Reverb, Delay effects
- ★ Compact size with Light weight
- ★ Monitor amp, can use with stand

接口示意图



- | |
|------------------|
| 开关:电源控制, 关联电源指示灯 |
| 监听:监听端口 |
| 耳机:耳机输出 |
| 电源:18V2500mA供电接口 |

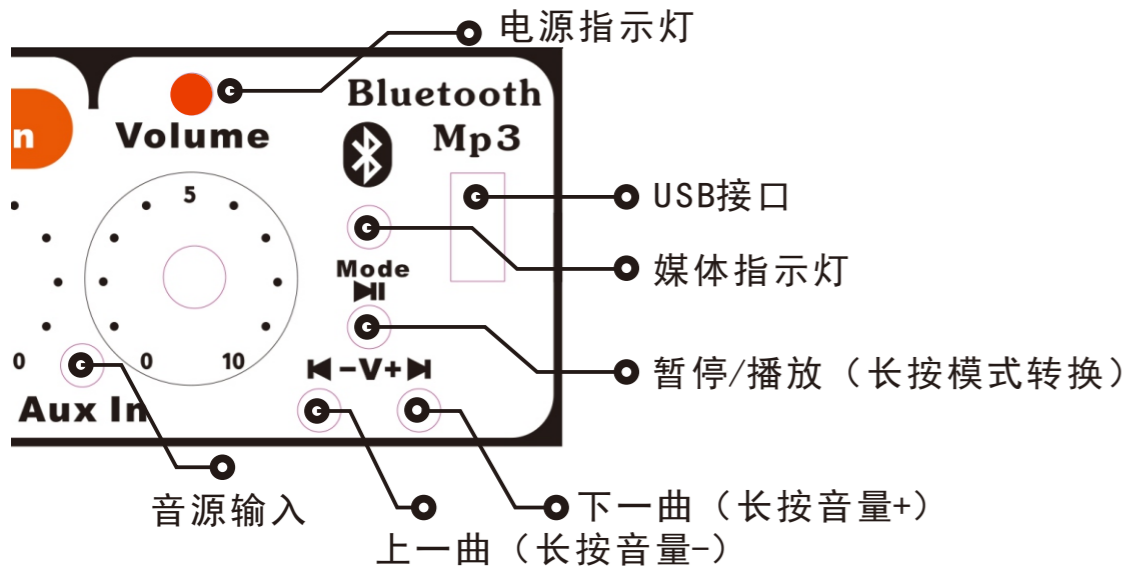
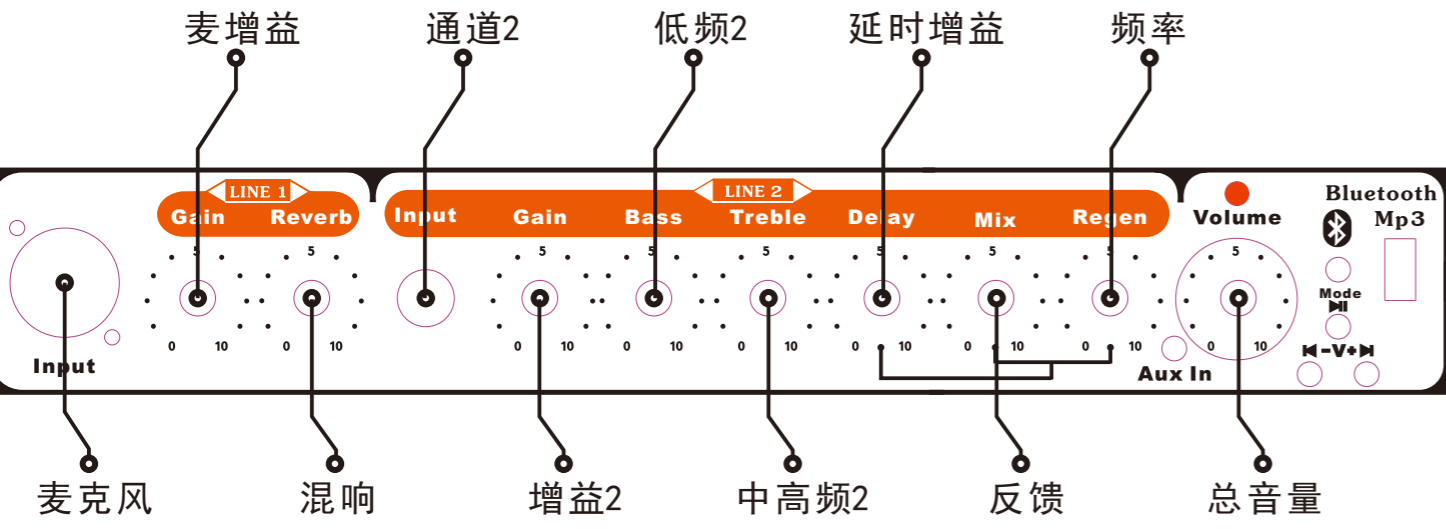


警告:

1. 在使用本产品前仔细的阅读操作指南
2. 请好好的保存这本操作指南
3. 请注意所有的警示指南
4. 请按照操作指南去使用本产品
5. 不要在进水的地方操作本产品, 例如浴盘, 游泳池, 潮湿的地下
6. 请用微抹布进行清洁
7. 请保持本产品通风口和散热口的畅通, 不要将本产品放置在靠墙的地方, (最好超过16CM的空间)或箱子里因为这样会影响到本产品的通风和散热
8. 不要将本产品防止在靠近发热体的附近, 例如, 电热炉, 烤箱等

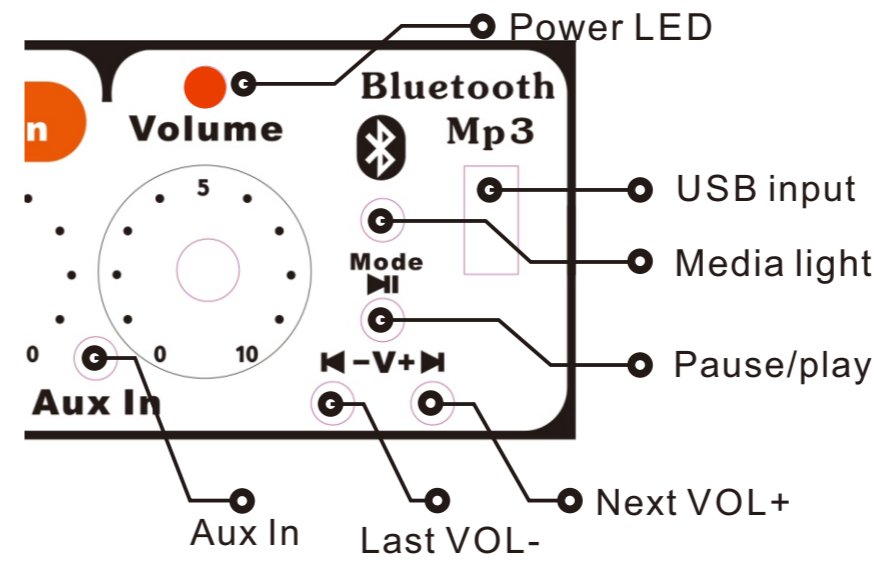
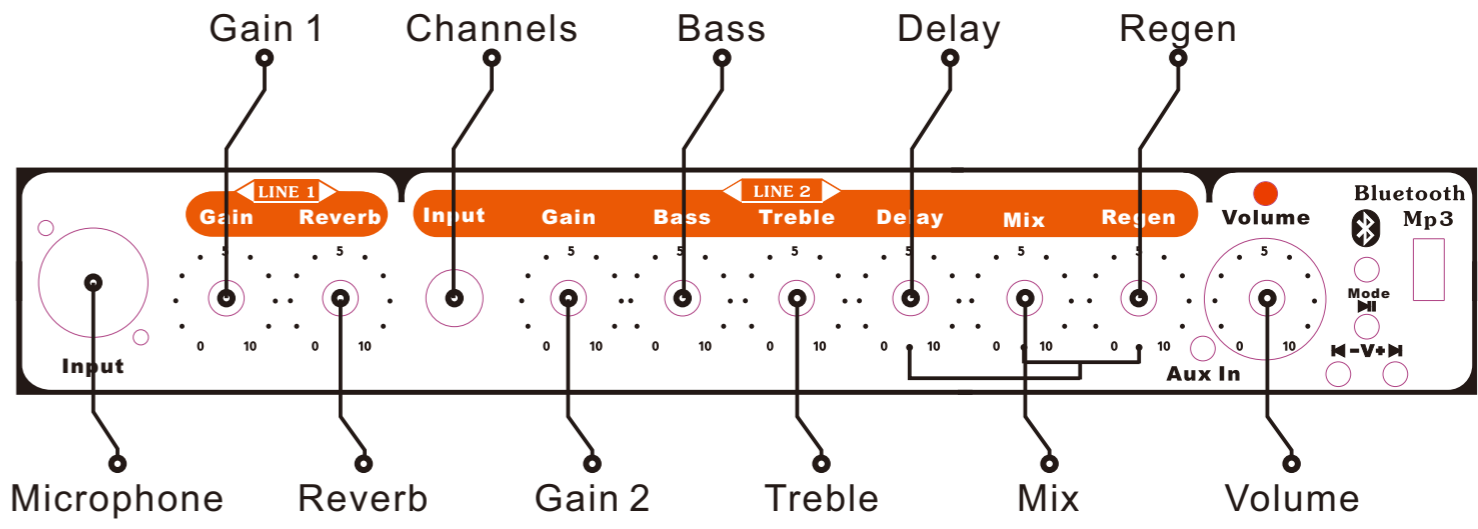
9. 如果发现插座和本产品的电源线插头 不匹配, 请不要将本产品插头的地线端拆掉以插入这个本来不匹配的插座里这样将导致严重的后果, 并大大增加了你和本产品受到伤害的几率, 我们建议你最好去更换一个匹配本产品插头的插座
10. 请不要使用任何不适由原厂提供的附件和配件
11. 当在雷电或你长时间不使用本产品的情况下, 请将插头拔掉
12. 考虑到本产品的重量, 在搬运产品时请注意安全操作, 不要压到手指头
13. 一旦本产品发生故障请找专业的维修人员进行维修, 或将本产品发回购买地, 由我们的维修部门处理
14. 请妥善的保管好电源线, 不要将其折叠或刮花
15. 本产品能够产生极大的声压, 所以在使用时一定要注意将音量达到合适的位置以免给你的听力造成临时, 或永久性的伤害

接口示意图



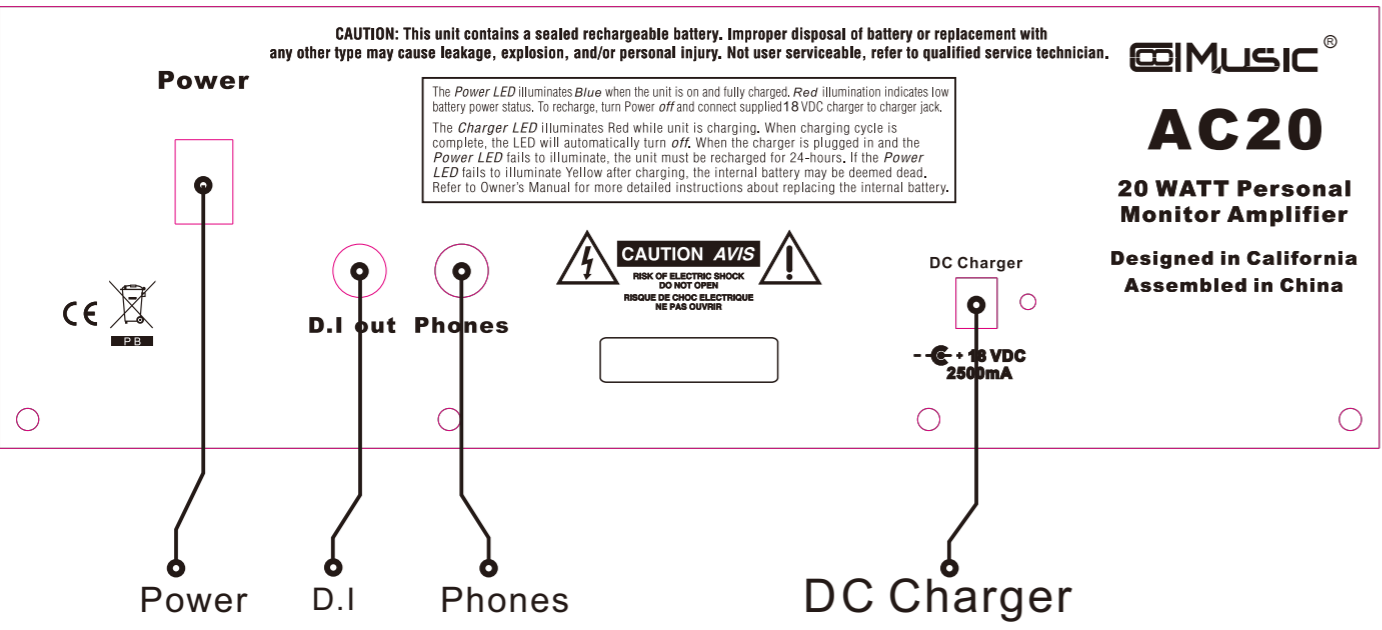
麦克风：接入麦克风（支持卡侬、6.3音频接口）	低频：低频信号控制
麦增益：控制麦克风音量	中高频：中高频信号控制
混响：音色修饰	延时：信号的强度
通道：线路输入	反馈：反馈的次数
音量：通道+媒体总音量旋钮	频率：延时的间隔频率
USB接口：可读取储存设备、或为其他设备充电	模式切换：蓝牙/MP3
音源输入：手机、CD机、卡座、MP3输入（低增益放大输出）	
电源指示灯：电源开关开启后蓝色灯常亮	

Schematic diagram of interface



Microphone: Microphone jack (Canon & 6.3 audio interface channels)	Bass: bass control
Gain: the microphone volume control	Treble: Treble control
Reverb: Tone control	Delay: Strength of the signal
Channels: line input	Mix: Times of the Mix
Volume: total volume knob	Regen: frequency of gain control
USB: usb input, also can charge other device	Switcher Mode: Bluetooth/MP3
Audio Input: Phone, CD, cassette deck, Mp3	
Power Indicator: The blue light when turning on the power of the amplifier.	

Schematic diagram of interface



Power: the power supply interface
D.I: D.I output
Phones: headset output
DC Charge: 18V voltage supply



1. Before using this product, read carefully operations guide.
2. Please save the operational guidelines well.
3. Please take note all warning guides.
4. Please do according to the instructions to use this product.
5. Do not operate this product near water, in places such as bath, swimming pool, and damp ground.
6. Please clean with a slightly damp cloth.
7. Please keep this product's vent and radiating port open. Do not place the product in place back against the wall(it is best to keep it more than 16cm of space) and the box because it will affect the product's ventilation and head dissipation.

8. Do not put the product near the place in close of proximity of the heating body, for example electric stove, oven, etc.
9. If the power line socket and plug of the product does not match, do not use this property. Wire products plug end tom down to insert this didn't match the socket that will lead to serious consequences, and greatly increase you and the product damage probability. We suggest you best to replace the one matching the product plug socket.
10. Please don't use any accessories and fittings not provided by the original factory.
11. When do not use this product in the lightning or you long time situation, please insert the plug BA off.
12. Considering the weight of product, in the handling of this product please Caution! Operation, don't be pressed a finger.
13. Once the product malfunction please find professional repair personnel to repair, or the buy product back, preprocessed by our repair department.
14. Please keep power line properly, don't be folded or scratch.
15. This product can produce great pressure, so we must pay attention to the sound when in use. The amount of play to the right position so as not to give your listening to cause temporary. or permanent damage.

THANK YOU!



感谢您选择使用我们的AC20便携式多功能吉他音箱。酷乐工程师和音乐家经过多年对原声吉他发声的测试和探索，最后终于可以将诸多特性和优点融入到AC20中，所以我们可以保证我们最新的AC20能够为各种键盘、原声吉他、话筒等音源设备发出最优美的声音。

无论是低音或是高音，AC20都能够对它们进行完美的处理和展现，并还原给您最美妙的声音。

★ 体积小巧，极致轻便

★ 唯美音效，精美修饰

★ 时尚MP3/蓝牙

★ 人声器声，由我而生